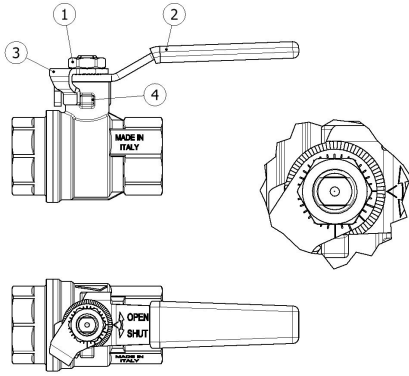




### HOW TO USE RuB MEMORY STOP

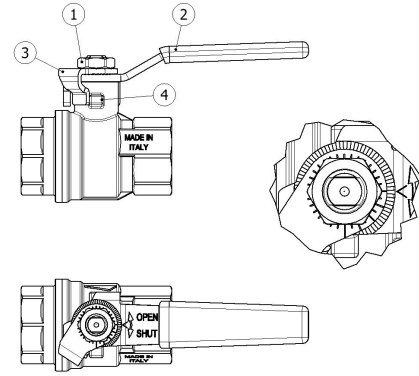


- Open valve
- Loosen top handle nut ①
- Turn handle ② clockwise to desired position
- Turn stop plate ③ anti-clockwise till it touches valve stop ④
- Tighten top handle nut ①

IMO024.02



### HOW TO USE RuB MEMORY STOP

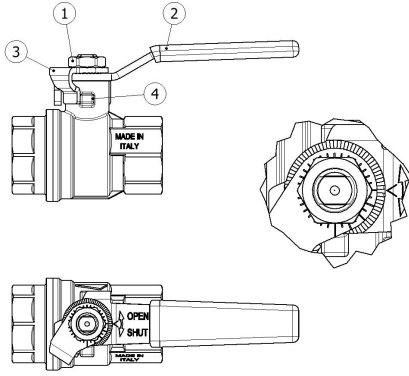


- Open valve
- Loosen top handle nut ①
- Turn handle ② clockwise to desired position
- Turn stop plate ③ anti-clockwise till it touches valve stop ④
- Tighten top handle nut ①

IMO024.02



### HOW TO USE RuB MEMORY STOP

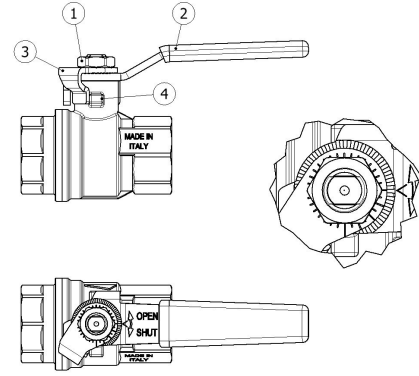


- Open valve
- Loosen top handle nut ①
- Turn handle ② clockwise to desired position
- Turn stop plate ③ anti-clockwise till it touches valve stop ④
- Tighten top handle nut ①

IMO024.02



### HOW TO USE RuB MEMORY STOP

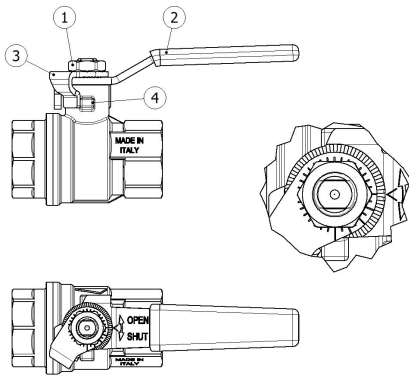


- Open valve
- Loosen top handle nut ①
- Turn handle ② clockwise to desired position
- Turn stop plate ③ anti-clockwise till it touches valve stop ④
- Tighten top handle nut ①

IMO024.02



### HOW TO USE RuB MEMORY STOP

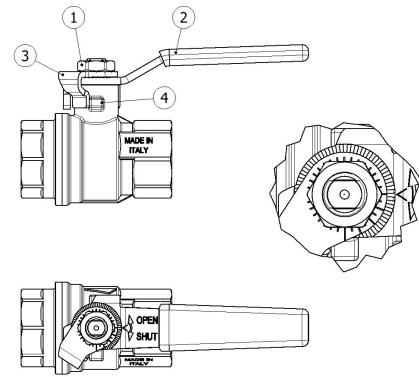


- Open valve
- Loosen top handle nut ①
- Turn handle ② clockwise to desired position
- Turn stop plate ③ anti-clockwise till it touches valve stop ④
- Tighten top handle nut ①

IMO024.02



### HOW TO USE RuB MEMORY STOP



- Open valve
- Loosen top handle nut ①
- Turn handle ② clockwise to desired position
- Turn stop plate ③ anti-clockwise till it touches valve stop ④
- Tighten top handle nut ①

IMO024.02